



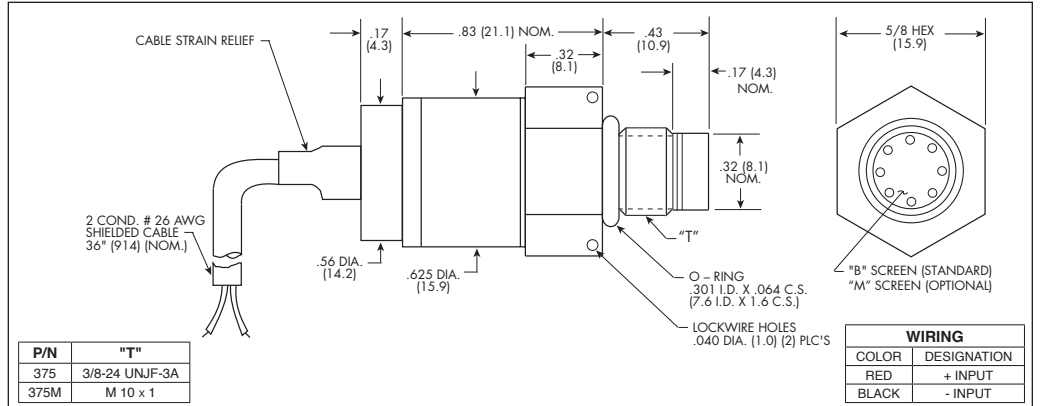
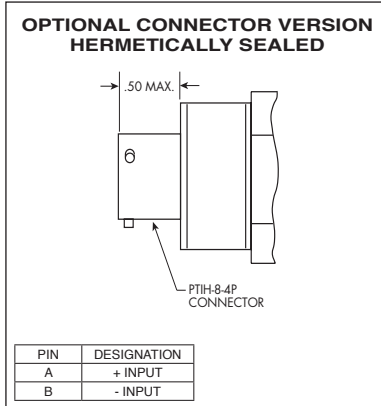
# MINIATURE 4-20mA OUTPUT PRESSURE TRANSDUCER ETL-200-375 (M) SERIES

- 4-20mA Output
- 2 Wire Operation
- Hybrid Microelectronic Signal Conditioner
- Patented Leadless Technology **VIS**<sup>®</sup>
- All Welded Construction
- Secondary Containment On Absolute And Sealed Gage Units
- Aerospace Quality Components
- 3/8-24 UNJF or M10 X 1 Thread



ETL-200-375 and ETL-200-375M transducers employ the same approach to transducer construction as the standard ETL-375 and ETL-375M series. The ETL Series uses Kulite's Patented Leadless Technology. The Kulite proprietary electronics module in this product

line, however, provides a current output signal (4 to 20 mA). These instruments are an excellent choice for applications requiring the current output signal but in which space and/or weight are at a premium.



	1.7	3.5	7	17	35	70	170	350
<b>INPUT</b>	25	50	100	250	500	1000	2500	5000
Pressure Range	Absolute, Gage, Sealed Gage							
Operational Mode	Absolute, Gage, Sealed Gage							
Over Pressure	2 Times Rated Pressure to 1000 PSI (70 BAR) 1.5 Times Rated Pressure Above 1000 PSI to a Max. of 6000 PSI (420 BAR)							
Burst Pressure	3 Times Rated Pressure to a Max. of 10000 PSI (700 BAR)							
Pressure Media	All Nonconductive, Noncorrosive Liquids or Gases (Most Conductive Liquids and Gases - Please Consult Factory)							
Minimum Voltage Required	9 V Minimum Voltage Required Across The Input and Output Wires							
Rated Electrical Excitation	12 - 32 VDC							
<b>OUTPUT</b>	4 - 20 mA							
Output	4 - 20 mA							
Bandwidth (-3dB)	DC to 750 Hz							
Combined Non-Linearity, Hysteresis and Repeatability	± 0.1% FSO BFSL (Typ.), ± 0.5% FSO (Max.)							
Resolution	Infinitesimal							
Natural Frequency of Sensor Without Screen (KHz) (Typ.)	Greater Than 400 KHz							
Acceleration Sensitivity % FS/g Perpendicular	1.9x10 <sup>-3</sup>	1.0x10 <sup>-3</sup>	5.2x10 <sup>-4</sup>	2.2x10 <sup>-4</sup>	1.1x10 <sup>-4</sup>	6.2x10 <sup>-5</sup>	2.6x10 <sup>-5</sup>	1.5x10 <sup>-5</sup>
Insulation Resistance	100 Megohm Min. @ 50 VDC							
<b>ENVIRONMENTAL</b>	-65°F to +250°F (-55°C to +120°C)							
Operating Temperature Range	-65°F to +250°F (-55°C to +120°C)							
Compensated Temperature Range	0°F to +212°F (-18°C to +100°C) Other Ranges Quoted on Request							
Thermal Zero Shift	± 1% FS/100° F (Typ.)							
Thermal Sensitivity Shift	± 1% /100° F (Typ.)							
Linear Vibration	100g Peak, Sine up to 5000 Hz							
Mechanical Shock	100g half Sine Wave 11 msec. Duration							
<b>PHYSICAL</b>	2 Conductor 26 AWG Shielded Cable 36" Long							
Electrical Connection	2 Conductor 26 AWG Shielded Cable 36" Long							
Weight	24.5 Grams (Max.) Excluding Cable							
Pressure Sensing Principle	Fully Active Four Arm Wheatstone Bridge Dielectrically Isolated Silicon on Silicon Patented Leadless Technology							
Mounting Torque	80 Inch-Pounds (Max.)							

