

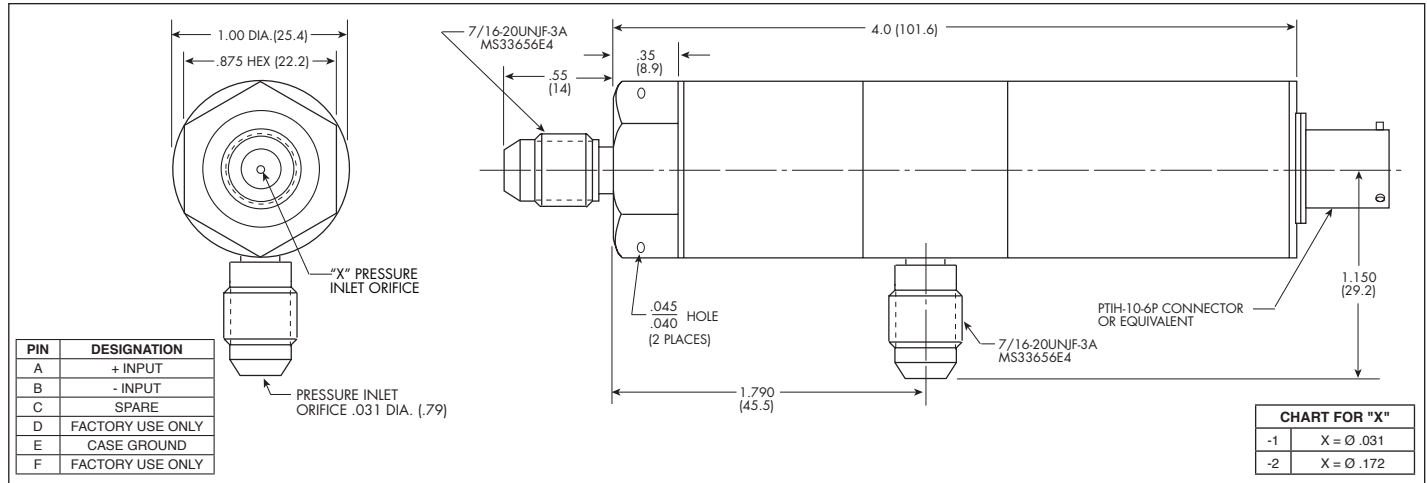


4-20mA OUTPUT DIGITALLY CORRECTED DIFFERENTIAL PRESSURE TRANSMITTER

BMDE-70I-1000 SERIES

- Robust Construction
- Digitally Corrected
- High Accuracy
- Silicon on Silicon Integrated Sensor **VIS®**

The BMDE-70I-1000 digitally corrected transmitter offers high accuracy inclusive of all errors over a wide temperature range of -40°F to +250°F. The ingenious application of modern solid state technology to transducer sensing makes the BMDE-70I-1000 Series the most advanced pressure transducer available. Designed to measure liquid or gas pressure, the transducer is of all-welded stainless steel construction, with integral pressure port and diaphragm.



INPUT	Pressure Range	0.35 5	1.0 15	1.7 25	3.5 50	7 100	17 250	35 BAR 500 PSI		
	Operational Mode	Differential								
	Over Pressure	2 Times Rated Pressure to a Maximum of 5000 PSI (350 BAR)								
	Burst Pressure	5 Times Rated Pressure to a Maximum of 5000 PSI (350 BAR)								
	Line Pressure	4 Times Rated Pressure								
	Pressure Media	Any Media Compatible With 316 SS and 15-5 PH Stainless Steel								
	Rated Electrical Excitation	8 - 32 VDC								
OUTPUT	Output	4 mA - 20 mA Current Output ("0" D Set at 12mA)								
	Total Error Band (Excluding End Points)	± 0.5% FSO (Max.)				± 0.25% FSO (Max.)				
	Residual Unbalance	3.0 VDC ± 0.025 (12 mA ± 0.1 Shunted by a 250 Ω Resistor)								
	Sensitivity (Net)	± 2.0 VDC ± 0.025 (± 8 mA ± 0.1 Shunted by a 250 Ω Resistor)								
	Bandwidth (-3dB)	DC to 1 kHz								
	Resolution	Infinitesimal								
	Acceleration Sensitivity % FS/g Perpendicular	1.5x10 ⁻³	7.0x10 ⁻⁴	3.0x10 ⁻⁴	1.5x10 ⁻⁴	1.0x10 ⁻⁴	5.0x10 ⁻⁵	3.0x10 ⁻⁵	2.0x10 ⁻⁵	1.5x10 ⁻⁵
ENVIRONMENTAL	Insulation Resistance	100 Megohm Min. @ 50 VDC								
	Operating Temperature Range	-40°F to +265°F (-40°C to +130°C)								
	Compensated Temperature Range	-40°F to +250°F (-40°C to +120°C)								
	Linear Vibration	50g Peak, Sine 10 to 2000 Hz								
	Humidity	100% Relative Humidity								
PHYSICAL	Mechanical Shock	100g half Sine Wave 11 msec. Duration								
	Electrical Connection	PTIH-10-6P Connector or Equivalent								
	Weight	270 Grams Approx.								
	Pressure Sensing Principle	Fully Active Four Arm Wheatstone Bridge Dielectrically Isolated Silicon on Silicon								
Mounting Torque	100 Inch-Pounds (Max.)									

