

AD-4407A

Waterproof Weighing Indicator

IP 65 compliant, dust and waterproof weighing indicator. The stainless steel (SUS304) body and stand are easy to clean in water.

Large Display

Large Vacuum Fluorescent Display (VFD) with 20mm characters

Weighing Functions

Multiple weighing intervals (dual range)

Checkweighing function (5 levels)

Setpoint comparison for batching applications (normal-batching/loss in weight)

Displays or outputs cumulative weight values, the number of accumulations, etc.

Simple counting function

Memory function

Stores four sets of setpoints, preset tare and unit weight

External I/O

Standard RS-232C, Stand

Optional Items

RS-232C, RS-422/485, Relay Output, Control Input, Analog Output (4-20mA), Current Loop Output

Current Loop Output (for connection to A & D peripheral devices)

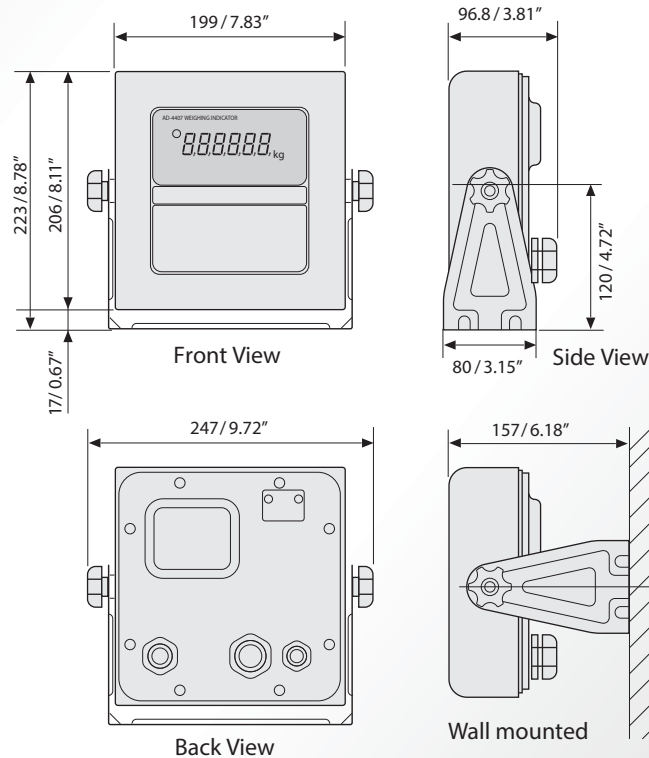
Digital Calibration Function

Power Supply

AC100/120/200/230V



With Standard Stand



WWW.HOSKIN.CA

- INTEGRATED SYSTEMS • RENTALS • SERVICE
- ENVIRONMENTAL • INSTRUMENTATION • MATERIALS TESTING

Vancouver | Burlington | Montréal | Edmonton