



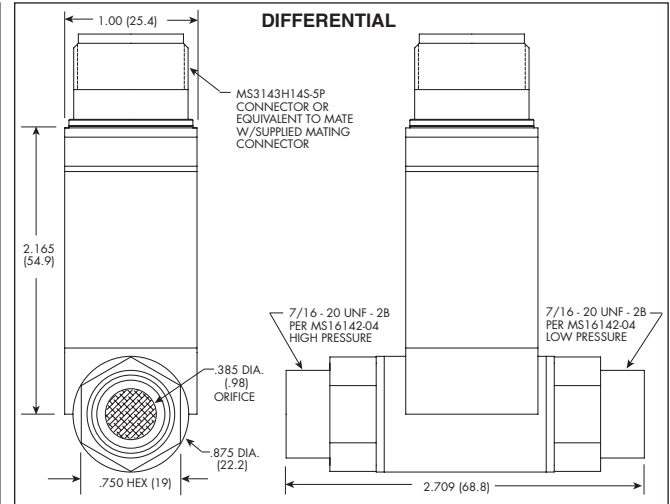
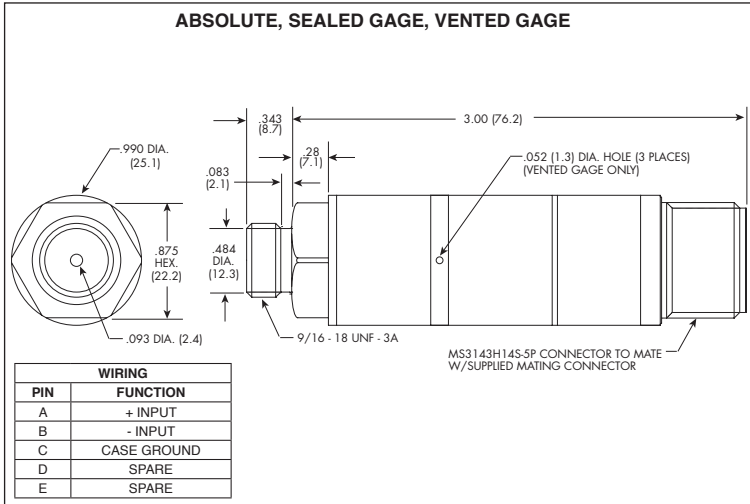
GENERAL PURPOSE MARINE PRESSURE TRANSDUCER

IPTE-230 SERIES

- Ideal For Marine / Shipboard Applications
- 4-20 mA Output
- Rugged All Welded Construction
- Proven Performance
- Intrinsically Safe Applications Available (i.e. IS-IPTE-230)



The application of modern solid state technology to transducer sensing makes the IPTE-230 Series the most advanced general purpose marine pressure transducer. Designed to measure liquid or gas pressure, the transducer is of all-welded stainless steel construction, with an integral pressure port and diaphragm. The IPTE-230 provides an extremely rugged and accurate means for pressure-to-current conversion. The device is hermetically sealed, has no moving parts and requires no maintenance or adjustments. Thus, the IPTE-230 is ideally suited for marine shipboard applications.



INPUT	Pressure Range	1.0 to 350 BAR 15 to 5000 PSI	0 to 17 BAR 0 to 250 PSI
	Operational Mode	Absolute, Sealed Gage, Vented Gage	
	Over Pressure	2 Times Rated Pressure Range	
	Line Pressure	4 Times Rated Pressure, 10,000 PSI Max. (690 BAR)	4 Times Rated Pressure, 1000 PSI Max (103 BAR)
	Pressure Media	Any Liquid or Gas Compatible With 316 Stainless Steel or Inconel 625	
	Rated Electrical Excitation	24 VDC	
	Maximum Electrical Excitation	40 VDC	
OUTPUT	Output	4-20 mA	
	Loop Resistance	250 Ohms (Typ.)	
	Static Error Band	Not to Exceed ±1.0% Including Thermal Effects, Zero and Span Offsets, Linearity, Repeatability, Hysteresis, Humidity and Overpressure	
ENVIRONMENTAL	Resolution	Infinitesimal	
	Compensated Temperature Range	32°F to +150°F (0°C to +65°C)	
	Humidity	100% Relative Humidity	
PHYSICAL	Pressure Port	9/16-18 UNF-3A for Absolute and Gage Models 7/16-20-UNF-2B for Differential Models	
	Electrical Connection	MS3143H14S-5P	
	Weight	510 Grams (Max.)	
	Sensing Principle	Fully Active Four Arm Wheatstone Bridge Dielectrically Isolated Silicon on Silicon	

