



DOWNHOLE PRESSURE TRANSDUCER

IPT-6-750HT

- Excellent Long Term Stability .1% Typical
- All Wetted Materials Inconel
- Built In Temperature Sensor
- Silicon on Silicon Integrated Sensor **VIS®**
- High Unamplified Output
- Intrinsically Safe Applications Available (i.e. IS-IPT-6-750HT)



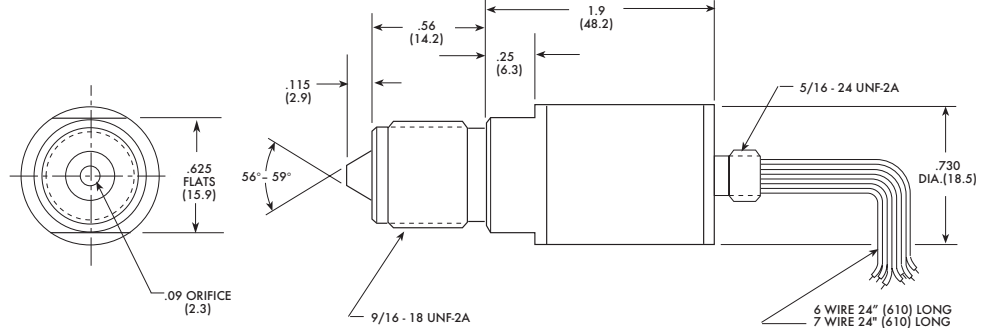
The IPT-6-750HT Downhole Transducer utilizes Kulite's State of the Art, Silicon on Silicon Isolated Diaphragm sensing technology, to provide excellent long term stability and high accuracy at temperatures to 350°F. All wetted materials are Inconel for corrosive media.

This transducer is supplied with a set of coefficients for use in software correction of the thermal shifts of zero and span inherent in the silicon sensor. If requested, a customized lookup table will be supplied. Use of these data yields a significant improvement over alternate technologies at a much more advantageous price.



WIRING DIAGRAM

WIRE COLOR	FUNCTION
RED	+ IN
YELLOW	+ OUT
BLUE	- OUT
GREEN	- IN
ORANGE	CASE GROUND
BLACK	RTD
WHITE	RTD



INPUT	Pressure Range	70 1000	170 2500	350 5000	700 10000	1050 BAR 15000 PSI
	Operational Mode	Absolute				
	Over Pressure	2 Times Rated Pressure Range or 22500 PSI Whichever is Less				
	Burst Pressure	3 Times Rated Pressure Range or 22500 PSI Whichever is Less				
	Pressure Media	Any Liquid or Gas Compatible With Inconel				
	Rated Electrical Excitation	5 VDC/AC (RMS)				
	Maximum Electrical Excitation	7.5 VDC/AC (RMS)				
	RTD Excitation	1mA (2 mA Max.)				
	Input Impedance	2500 Ohm (Min.)				
OUTPUT	Output Impedance	2500 Ohms (Nom.)				
	Full Scale Output (FSO)	100 mV (Nom.)				
	Temperature Sensor	1000 Ohm Platinum RTD Per DIN EN 60751 (IEC 751) (BS 43760) Class A				
	Residual Unbalance	± 5%				
	Combined Non-Linearity, Hysteresis and Repeatability	± 0.1% FSO BFSL (Typ.), ± 0.5% FSO (Max.)				
	Resolution	Infinitesimal				
	Natural Frequency of Sensor (KHz) (Typ.)	720	910	1120	1350	1500
ENVIRONMENTAL	Insulation Resistance	100 Megohm Min. @ 50 VDC				
	Operating Temperature Range	-40°F to +350°F (-40°C to +175°C)				
	Linear Vibration	10-2,000 Hz Sine, 100g. (Max.)				
PHYSICAL	Mechanical Shock	20g half Sine Wave 11 msec. Duration				
	Pressure Port	9/16-18 UNF-24, Mates with Autoclave F250C				
	Electrical Connection	7 Wire 24" (610) Long (Internal RTD)		6 Wire 24" (610) Long (Internal Bridge Temp.)		
	Weight	110 Grams (Max.) Excluding Cable				
Sensing Principle		Fully Active Four Arm Wheatstone Bridge Dielectrically Isolated Silicon on Silicon				

