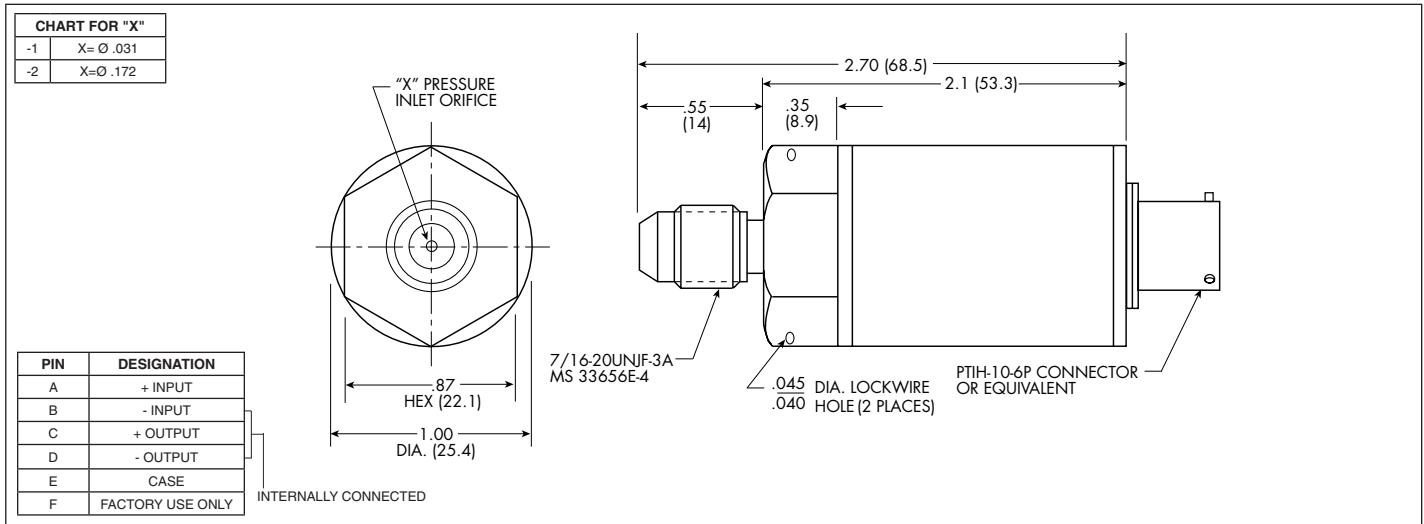




**VOLTAGE OUTPUT DIGITALLY CORRECTED  
PRESSURE TRANSDUCER  
BME-76-1100 SERIES**

- Robust Construction
- High Accuracy
- Digitally Corrected
- Silicon on Silicon Integrated Sensor **VIS®**

The BME-76-1100 digitally corrected transducer offers high accuracy with a total error band of  $\pm 0.25\%$  FSO, inclusive of all errors over a wide temperature range of  $-40^{\circ}\text{F}$  to  $+250^{\circ}\text{F}$ . The ingenious application of modern solid state technology to transducer sensing makes the BME-76-1100 Series the most advanced pressure transducer available. Designed to measure liquid or gas pressure, the transducer is of all-welded stainless steel construction, with integral pressure port and diaphragm.



INPUT	Pressure Range	1.7 25	3.5 50	7 100	17 250	35 500	70 1000	140 2000	350 BAR 5000 PSI	
	Operational Mode	Absolute, Sealed Gage								
	Over Pressure	2 Times Rated Pressure to a Maximum of 5000 PSI (350 BAR)								
	Burst Pressure	5 Times Rated Pressure to a Maximum of 5000 PSI (350 BAR)								
	Pressure Media	Any Media Compatible With 316 SS and 15-5 PH Stainless Steel								
	Rated Electrical Excitation	8 - 32 VDC								
	Maximum Electrical Current	25 mA (Max.)								
OUTPUT	Output Impedance	750 Ohms (Max.)								
	Full Scale Output (FSO) (Net)	4.0 VDC $\pm$ .025 VDC								
	Total Error Band (Excluding End Points)	$\pm$ 0.25% FSO (Max.) (Combined Non-Linearity, Hysteresis, Repeatability and All Thermal Effects Included)								
	Bandwidth (-3dB)	DC to 10 KHz								
	Residual Unbalance	0.5 VDC $\pm$ .025 VDC								
	Resolution	Infinitesimal								
	Acceleration Sensitivity % FS/g Perpendicular	$1.9 \times 10^{-3}$	$1.0 \times 10^{-3}$	$5.2 \times 10^{-4}$	$2.2 \times 10^{-4}$	$1.1 \times 10^{-4}$	$6.2 \times 10^{-5}$	$2.6 \times 10^{-5}$	$1.5 \times 10^{-5}$	
ENVIRONMENTAL	Insulation Resistance	100 Megohm Min. @ 50 VDC								
	Operating Temperature Range	$-40^{\circ}\text{F}$ to $+265^{\circ}\text{F}$ ( $-40^{\circ}\text{C}$ to $+130^{\circ}\text{C}$ )								
	Compensated Temperature Range	$-40^{\circ}\text{F}$ to $+250^{\circ}\text{F}$ ( $-40^{\circ}\text{C}$ to $+120^{\circ}\text{C}$ )								
	Linear Vibration	50g Peak, Sine 10 to 2000 Hz								
	Humidity	100% Relative Humidity								
PHYSICAL	Mechanical Shock	100g half Sine Wave 11 msec. Duration								
	Electrical Connection	PTIH-10-6P Connector or Equivalent								
	Weight	110 Grams								
	Pressure Sensing Principle	Fully Active Four Arm Wheatstone Bridge Dielectrically Isolated Silicon on Silicon								
	Mounting Torque	100 Inch-Pounds (Max.)								

